

Air Container Dimensions

Main Deck Pallet

(Equivalent to IATA Type 2)

External Displacement:

606 cu ft/17.16 cu m

Maximum Gross Weight:

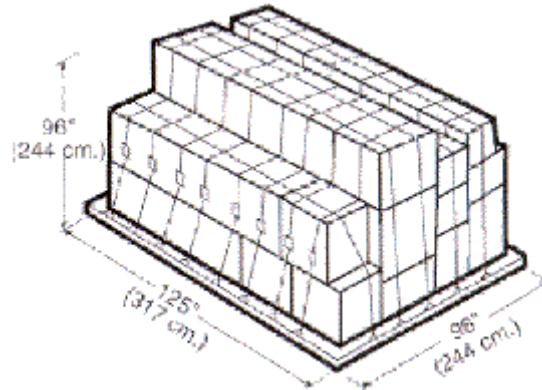
15,000 lb/6,804 kg

Maximum External Dimensions:

(L x W x H) Contoured

125" x 96" x 96"

317cm x 244cm x 244cm



LD-7

(Equivalent to IATA Type 5)

External Displacement:

379.9 cu ft/10 cu m

Maximum Gross Weight:

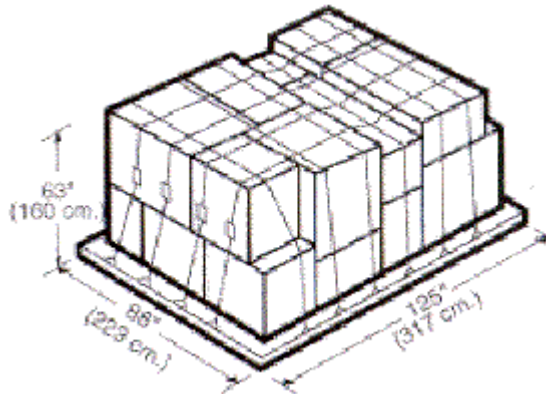
10,200 lb/4,627 kg

Maximum External Dimensions:

(L x W x H) Contoured

125" x 88" x 63"

317 cm x 223 cm x 160 cm



P9A Lower Deck Pallet

(Equivalent to IATA Type 6)

External Displacement:

242 cu ft/6.9 cu m

Maximum Gross Weight:

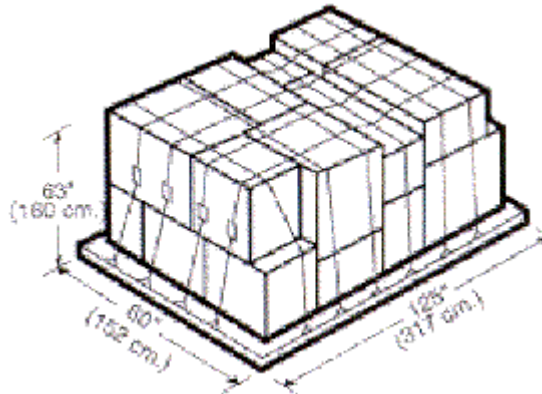
7,000 lb/3,175 kg

Maximum External Dimensions:

(L x W x H) Contoured

125" x 60" x 63"

317 cm x 152 cm x 160 cm



LD-11

(Equivalent to IATA Type 6)

Internal Capacity:

242 cu ft/6.9 cu m

Maximum Gross Weight:

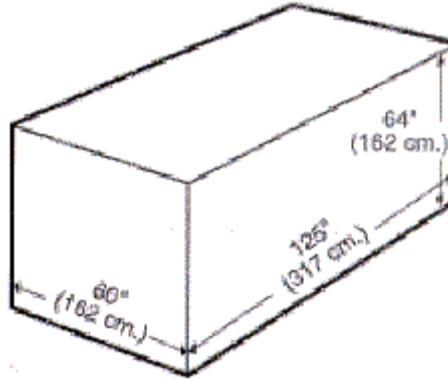
7,000 lbs/3,176 kg

Maximum External Dimensions:

(L x W x H) Contoured

125" x 60" x 64"

317 cm x 162 cm x 162 cm



LD-8

(Equivalent to IATA Type 6A)

Internal Capacity:

243 cu ft/6.9 cu m

Maximum Gross Weight:

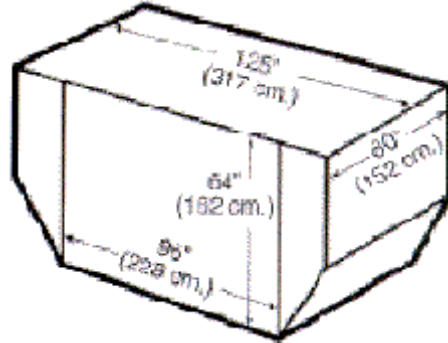
5,400 lb/2,450 kg

Maximum External Dimensions:

(L x W x H) Contoured

96" x 60" x 64"

228 cm x 152 cm x 162 cm



LD-4

(Equivalent to IATA Type 7A)

Internal Capacity:

174 cu ft/5 cu m

Maximum Gross Weight:

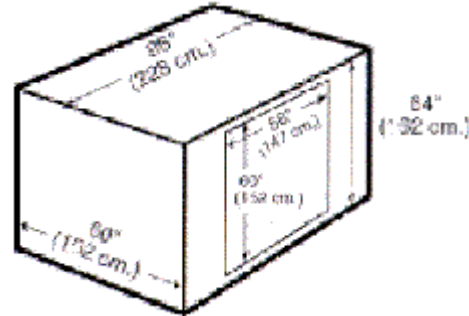
5,400 lb/2,450 kg

Maximum External Dimensions:

(L x W x H) Contoured

96" x 60" x 64"

228 cm x 152 cm x 162 cm



LD-3

(Equivalent to IATA Type 8)

Internal Capacity:

150 cu ft/4 cu m

Maximum Gross Weight:

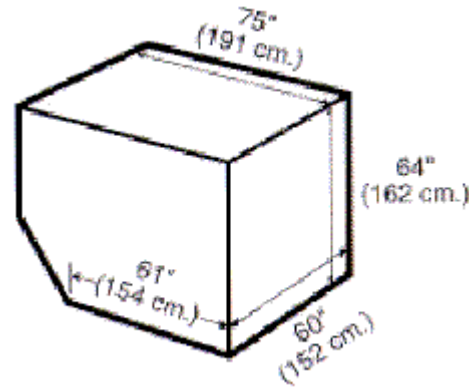
3,500 lb/1,588 kg

Maximum External Dimensions:

(L x W x H) Contoured

61" x 60" x 64"

154 cm x 152 cm x 162 cm



LD-2

(Equivalent to IATA Type 8D)

Internal Capacity:

120 cu ft/3 cu m

Maximum Gross Weight:

2,700 lb/1,225 kg

Maximum External Dimensions:

(L x W x H) Contoured

47" x 60" x 64"

119 cm x 152 cm x 162 cm

